

UV CAN

UV07 Datasheet

UV07 is the heart of a **Usevolt** control system. It is a control handle which includes all necessary electronics for controlling hydraulic valves directly regardless of the valve manufacturer. Thus it needs to be accompanied only by **UV0D** to create a control system which is easy to install and intuitive to use.

UV07 control handle is designed to be reliable. The joystick sensors are magnetic HAL-effect sensors, which do not have mechanical, wearable components.

- Operating temperature -30 ... +80 °C
- CAN 2.0B interface
- Durable aluminum enclosure
- Designed for 12V and 24V operation
- 10 proportional PWM power outputs with current sense or with 5 ratiometric analog voltage outputs for driving Danfoss PVG (PVEM) valves.
- 3 analog voltage inputs
- 1 digital voltage input pair
- 1 analog current input 0 - 20 mA



Revision History

Date	Comments
2.4.2019	Initial revision
16.1.2020	Separate system diagrams for proportional output pairs and ratiometric voltage outputs, additional information about the outputs & inputs.
12.11.2020	UV07 versions named as UV071 and UV072. TEMPIN temperature input is replaced with a AIN3 analog voltage inputs on the PCB revisions UV071 5.2.0 and UV072 2.1.0 onward.

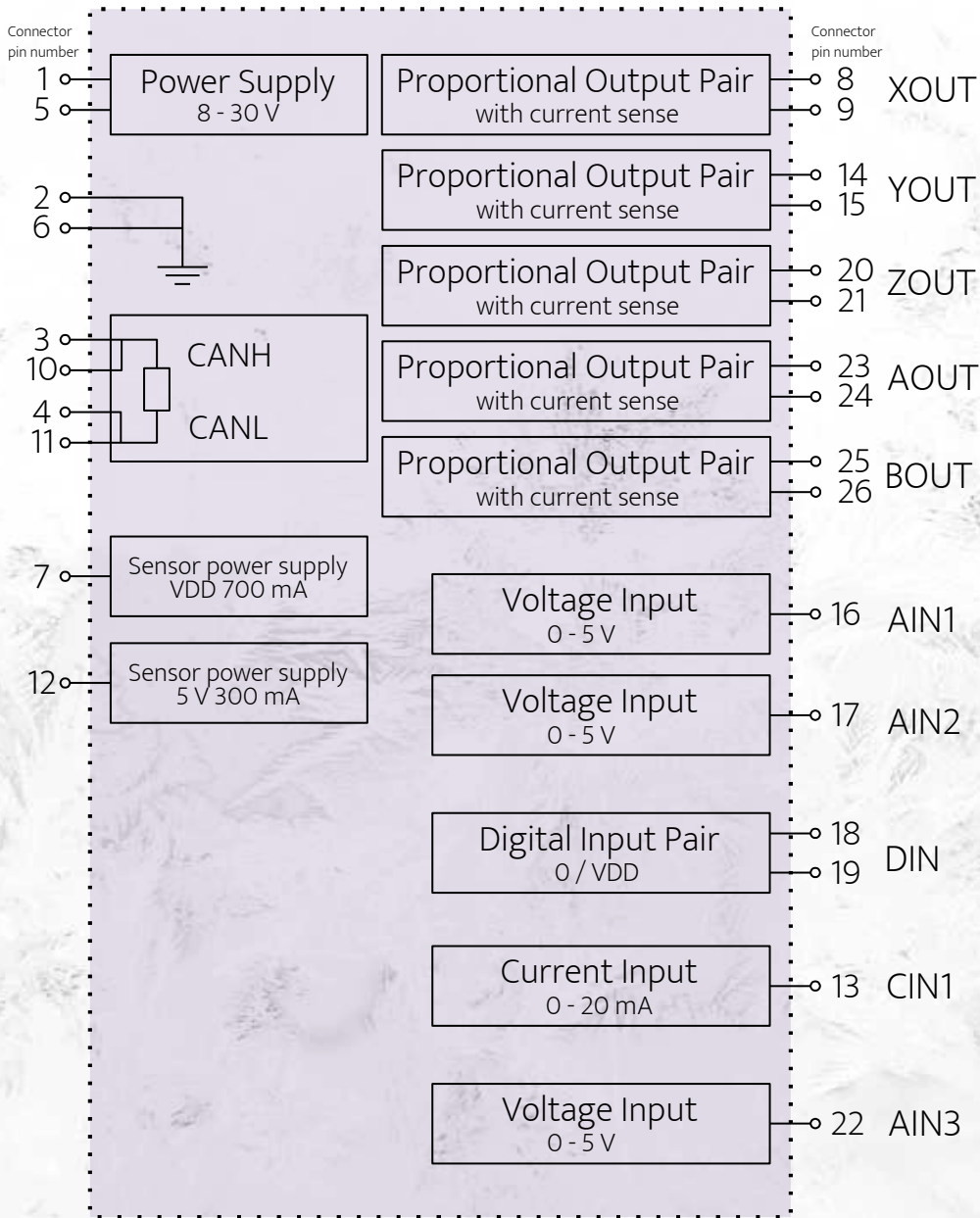
Usevolt Oy reserves all rights to change this document without further notice.

Technical Specifications

Voltage	8 - 30 VDC
Protection	Over voltage & Reverse voltage External 15 A fuse required
Current Consumption	Logic 20 mA, outputs up to 10 A
Connectors	Superseal 6473418-1
Interface	1 x CAN-bus 2.0B
Material	Aluminum, brass, ABS, POM
Programming language	C, with open source uv_hal library
IP-rating	IP65
Microcontroller	32-bit ARM Cortex-M3
Memory	256 KB Application flash memory 36 kB RAM memory
Outputs	10 x proportional high-side PWM output with current sense or 5 ratiometric analog voltage outputs & switched power output
Output max current / voltage	2200 mA / 0 - 80% U_{dc}
Inputs	3 x analog voltage input 1 x digital voltage input pair 2 x current input 0 ... 20 mA

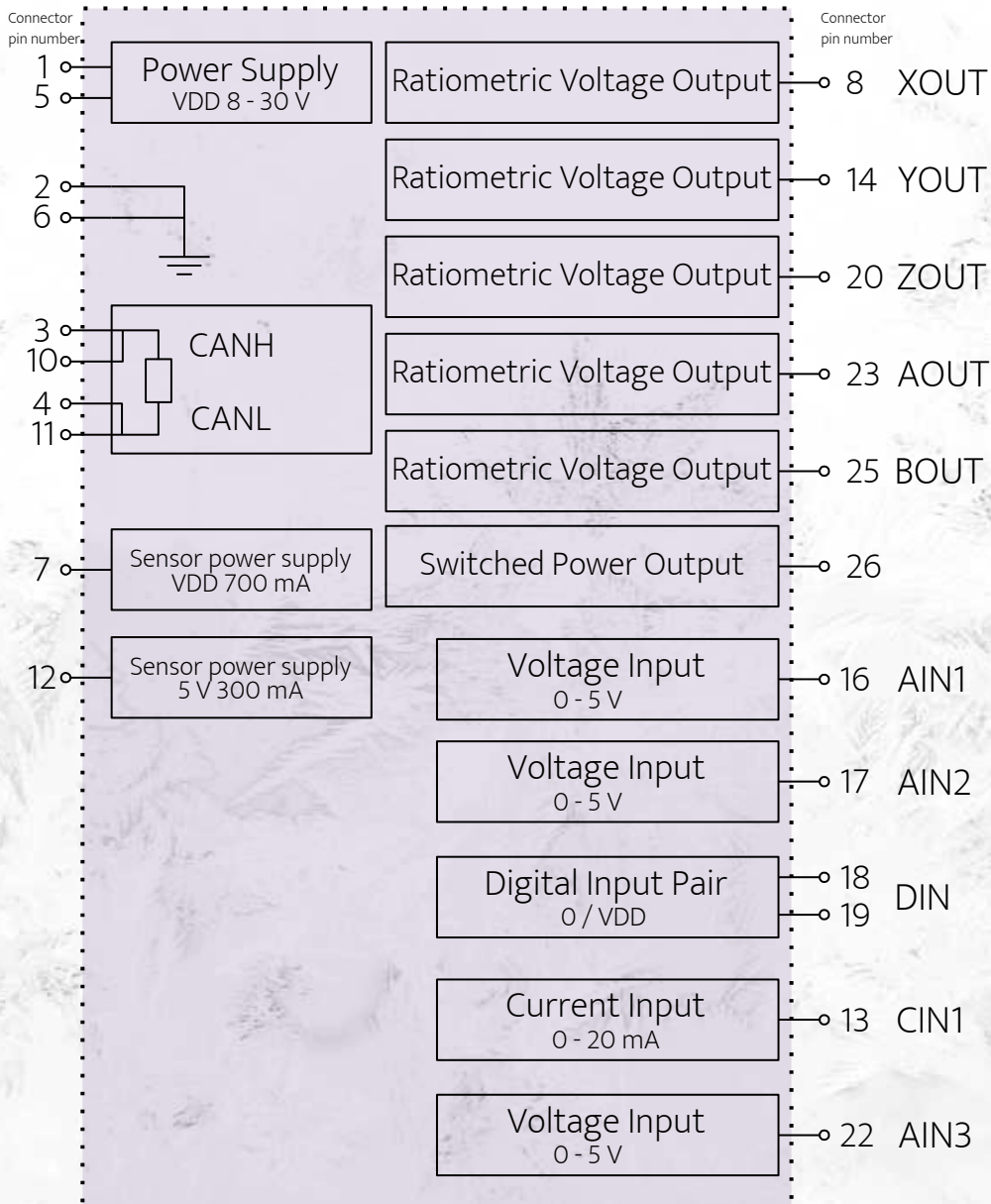
System Diagram

UV071



System diagram for UV07 supplied with proportional current outputs

UV072



System diagram for UV07 supplied with ratiometric voltage outputs for Danfoss PVG(PVEM) valves

Proportional Output Pair

Proportional output pair is a high-side driver used to directly control two-directional hydraulic valves. The output pin should be connected to the hydraulic valve's coil, while the other end of the coil should be connected to vehicle ground. One proportional output pair has two pins that can be used to drive 2 coils as required by two-directional hydraulic valve. Note that only one of the pins can drive coil (be active) at any time. All proportional output pairs have internal current sense as well as internal short circuit and overheat protection. They operate as dual 0 - 2200 mA PWM power outputs.

Ratiometric Voltage Output

If UV07 is supplied with ratiometric voltage circuitry to drive Danfoss PVG (PVEM) valves, the proportional output pairs are replaced with low power 0 - VDD analog voltage outputs. The maximum load impedance of ratiometric mode is 10 k Ω . The default value of the ratiometric voltage output is $VDD / 2$. The value of the ratiometric output is undefined when UV07 is booting up or resetting. When driving Danfoss PVG valves, the valve power supply should be taken from UV07's switched power output (see below) to prevent unintentional movements while boot up.

Switched power output

The switched power output is a high-side driver that is active always when any calibrated input (such as internal joystick axes' HAL sensors or calibrated input AIN / CIN pins) is considered active. That is, their logical value is non-zero. The switched power output can be used to supply up to 4 A current for, for example, Danfoss PVG valve controller's supply voltage. The switched power output has internal short-circuit and overheat protection, but no current sense.

Voltage Input 0 - 5 V

The 0 - 5 V voltage inputs are analog inputs that can measure the input voltage in the range of 0 - 5 V. Despite the internal over voltage protection, connecting any higher-than 5 V voltages to these pins should be avoided. The voltage inputs have internal 30 k Ω pull-down resistor.

Digital Input Pair 0 / VDD

The digital input pair consists of 2 digital voltage inputs that are supply voltage tolerant. They can be used as inputs for, for example, switches to control additional outputs. Only one of the two pins can be active at one time. If both pins are active, the logical state of the Digital input is read as non-active. The digital input pair can be configured to be active-high or active-low, with internal pull-down or pull-up resistor enabled, respectively.

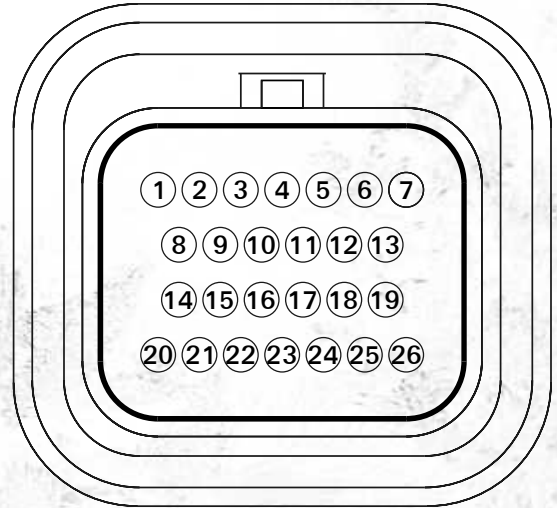
Current Input 0 - 20 mA

The current input can measure input current in the range of 0 - 20 mA. The current input pin doesn't have internal over voltage protection. Connecting any higher-than 5 V voltage is not allowed.

Connector Pin Out

Superseal 26-pin 6473418-1 Connector

1	VDD
2	GND
3	CANH*
4	CANL*
5	VDD
6	GND
7	SENSOR_VDD
8	XOUT_A / RATIOMETRIC XOUT
9	XOUT_B / RATIOMETRIC NC **
10	CANH*
11	CANL*
12	SENSOR_5V
13	CIN1
14	YOUT_A / RATIOMETRIC YOUT
15	YOUT_B / RATIOMETRIC NC **
16	AIN1
17	AIN2



Superseal 26-pin 6473418-1
Mates with 3-1437290-8

18	DIN_A
19	DIN_B
20	ZOUT_A / RATIOMETRIC ZOUT
21	ZOUT_B / RATIOMETRIC NC **
22	AIN3
23	AOUT_A / RATIOMETRIC AOUT
24	AOUT_B / RATIOMETRIC NC **
25	BOUT_A / RATIOMETRIC BOUT
26	BOUT_B / RATIOMETRIC SWITCHED POWER OUTPUT

* CAN-bus multiplexed to 2 pins to simplify system wiring. It also has internal 120 Ω terminating resistor by default. Contact the manufacturer if the terminating resistor is not required.

** NC = No Connection

Physical Dimensions

